

DATA SHEET

24 Fiber OSP Splice Closure

For Installations in Both Underground and Aerial Environments

RLH Industries Outside Plant Fiber Splice Closure provides reliable and flexible installation for outdoor applications. The compact size and high quality construction allow for installation in both underground and aerial environments.

The case lid is hinged for correct alignment and is secured with stainless steel hardware for corrosion resistance. A silicone gasket with cable inlet and exit seals, along with sealing tape and plugs for unused cable entry points, provide a durable and water tight seal for fiber splicing in outdoor environments. Two splice trays with hinged covers hold up to 24 splice sleeves.

Features

- 24 fiber capacity (splice trays included)
- 4 cable entry ports
- Aerial or underground applications
- Waterproof seal (IP 66)
- Temperature and chemical resistant
- Includes accessory kit with splice sleeves and cable seals



24 Fiber OSP Splice Case - Closed



Cable Seals



Splice Trays



Open

Ordering Information

Description	Part Number
24 Fiber OSP Splice Closure	RLH-OFSC-24-B-1

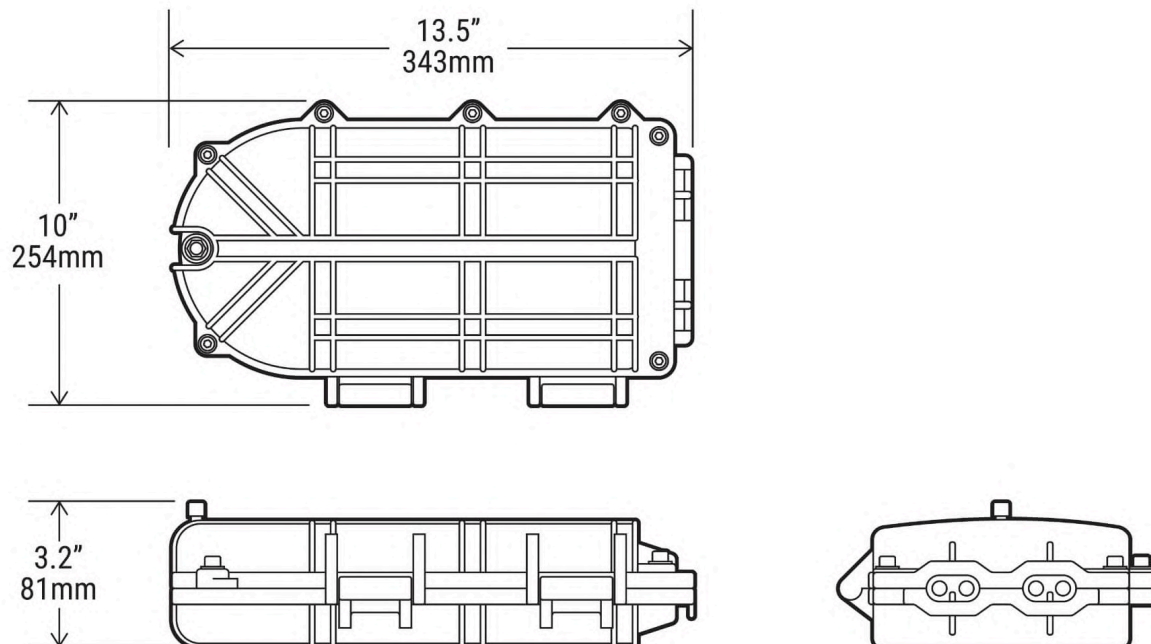
DATA SHEET

www.fiber opticlink.com

Specifications

Color	Black
Material	PP+GF
Dimensions	13.5"(L) x 10"(W) x 3.2"(H), (343mm x 254mm x 81mm)
Fiber Splice Capacity	24 Fibers
Fibers Per Tray	12
Cable Ports	4
Cable Diameter (mm)	Φ10-21
Weight	2 lbs. (0.9Kg) Approx.
Protection Level	IP68
Installation Style	Outdoor underground or aerial, butt end

Dimensional Information



DATA SHEETwww.fiberopticlink.com**Contact**

By Mail:	Att: Sales RLH Industries, Inc. 936 N. Main St. Orange, CA 92867
----------	---

By Phone: Sales / Service Mon - Fri, 6am - 6pm, PST	Local	714-532-1672
	Toll Free	800-877-1672 866-DO-FIBER

By Email:	info@fiberopticlink.com
-----------	--

By FAX:	714-532-1885
---------	--------------

Tech Support

By Email:	support@fiberopticlink.com
-----------	--

By Phone:	Toll Free	855-754-2497 855-RLH-24X7
-----------	-----------	------------------------------