

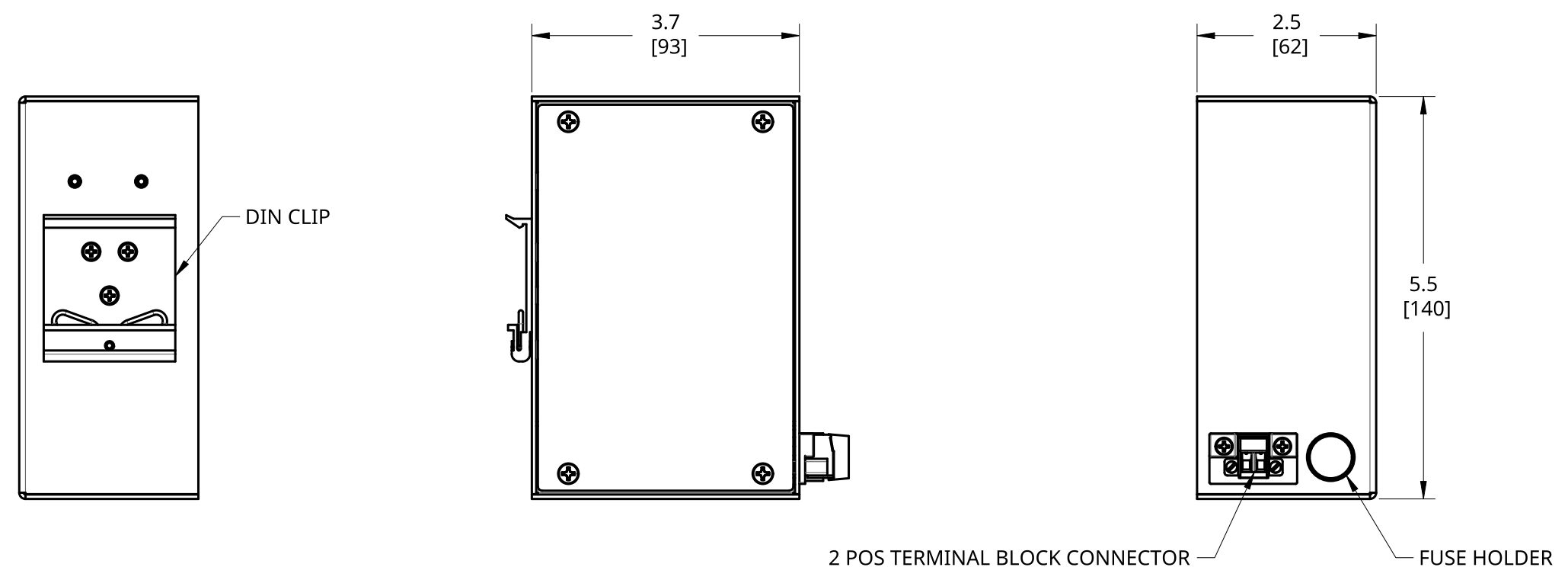
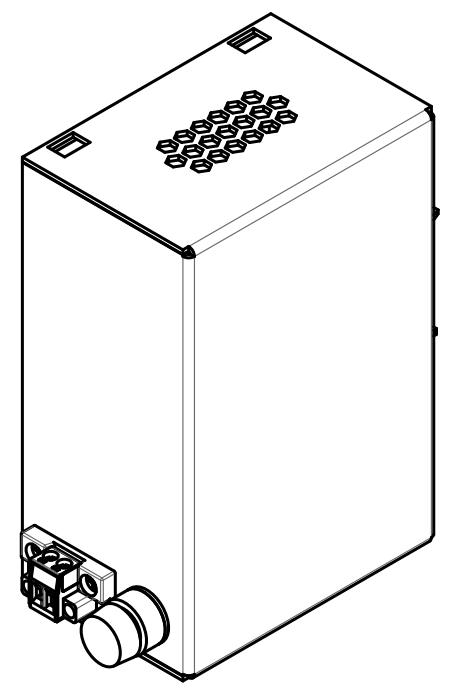
4

3

2

1

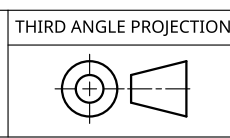
REV	Zone	DESCRIPTION	DATE	APPROVED
A		INITIAL RELEASE	06/10/2024	KG



TITLE		RLH-2401-1BP - 24VDC 1.2AH DIN MOUNT BATTERY PACK		
SIZE	DWG NO.	REV.		
B	AD-140	A		
SCALE	WEIGHT	SHEET		
1:2		1 of 1		

RLH
RLH Industries, Inc.

FIBEROPTICLINK



4

3

2

1

D

D

C

C

B

B

A

A