

4

3

2

1

REV	Zone	DESCRIPTION	DATE	APPROVED
A		INITIAL RELEASE	06/10/2024	KG

D

D

C

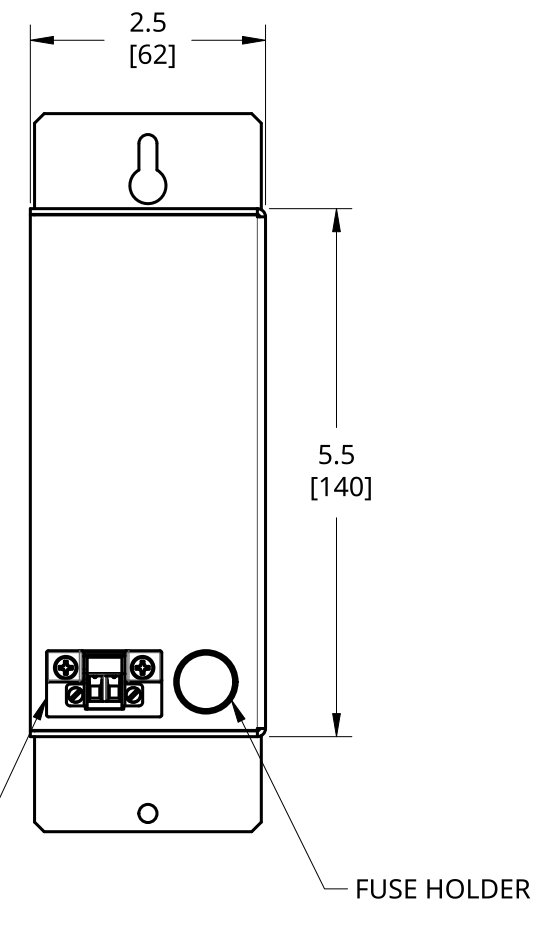
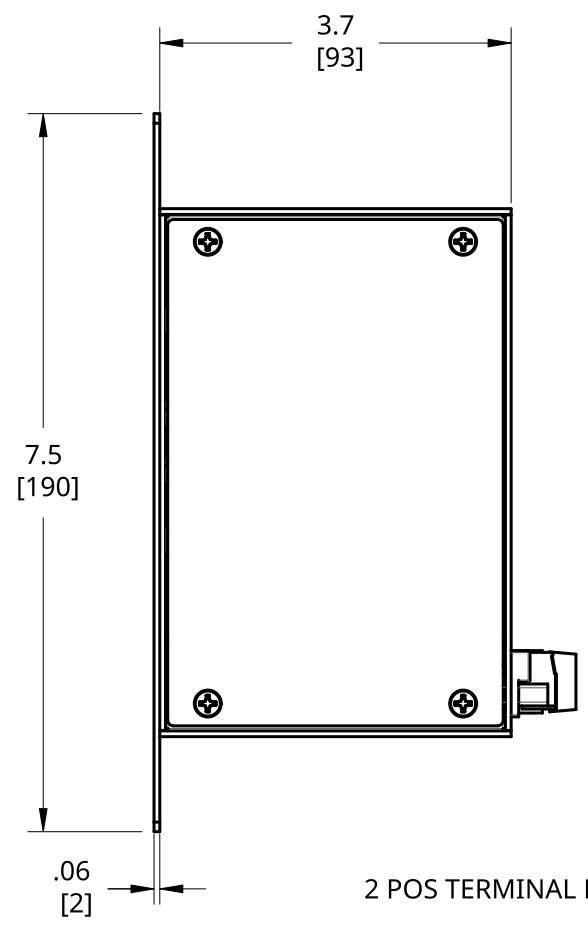
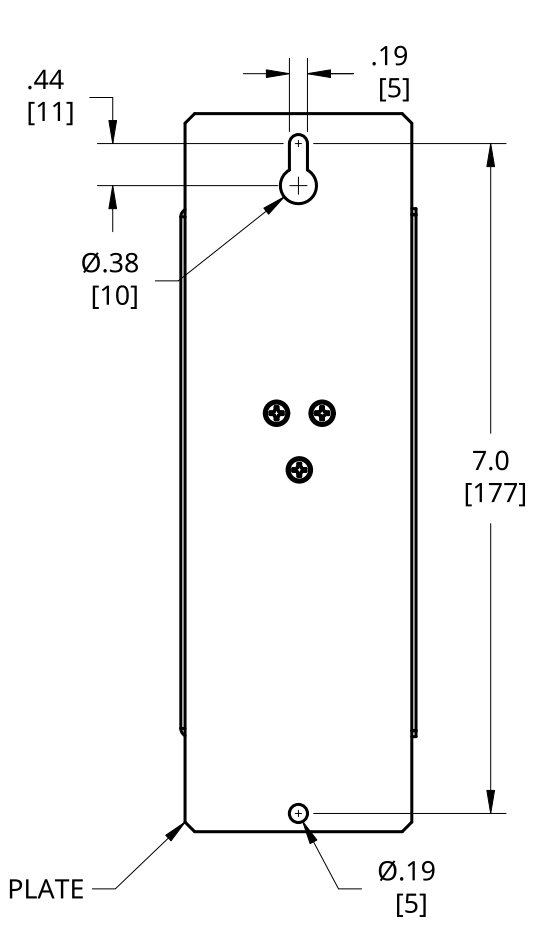
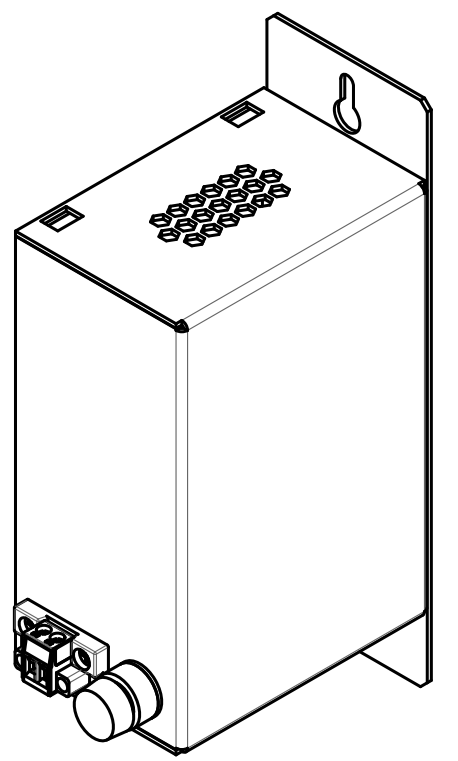
C

B

B

A

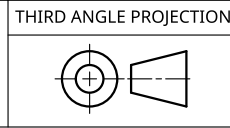
A



TITLE			
RLH-2401-1BP - 24VDC 1.2AH BATTERY PACK WITH WALL MOUNT PLATE			
SIZE	DWG NO.	REV.	
B	CD-420	A	
SCALE	WEIGHT	SHEET	
1:2		1 of 1	



FIBEROPTICLINK



4

3

2

1