

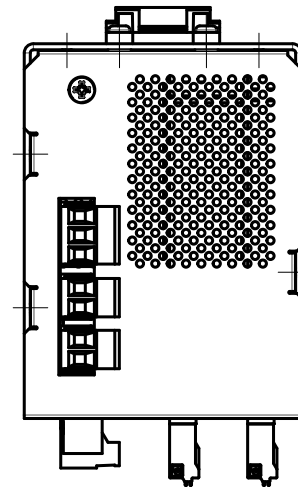
4

3

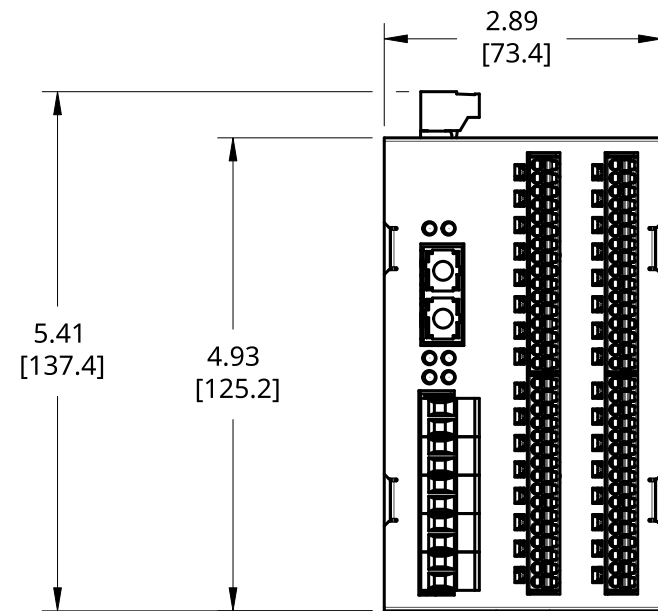
2

1

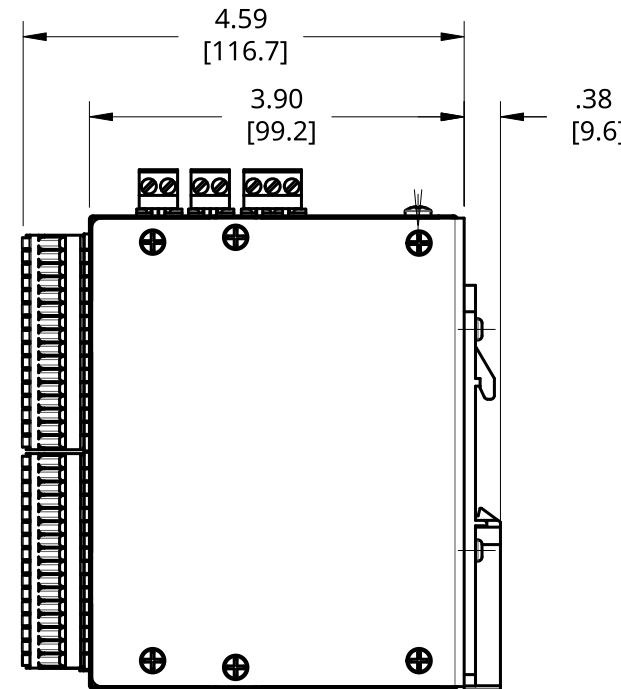
REV	Zone	DESCRIPTION	DATE	APPROVED
A		INITIAL RELEASE	08/14/24	E. SIEGMANN



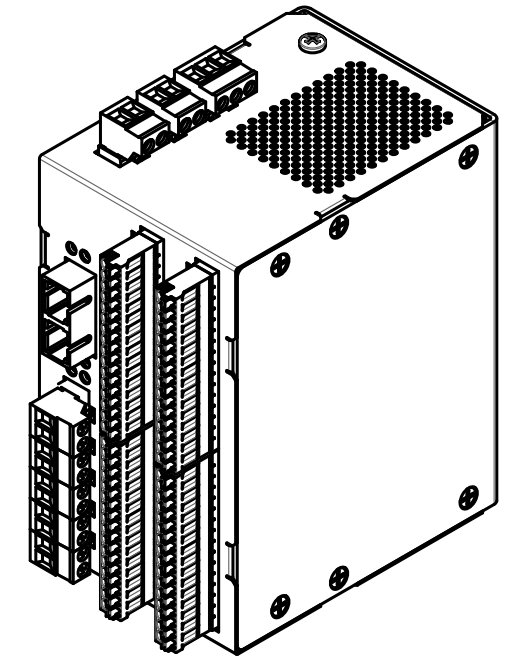
Top



Front

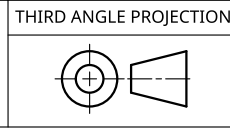


Right



TITLE		ADIO-420XX TX/RX 4 CH. 4-20MA + 16 CH. CONTACT IO		
SIZE	DWG NO.	REV.		
B	CD-425	A		
SCALE	WEIGHT	SHEET	1 of 1	
1:2				

RLH **FIBEROPTICLINK**
RLH Industries, Inc.



4

3

2

1

D

D

C

C

B

B

A

A