

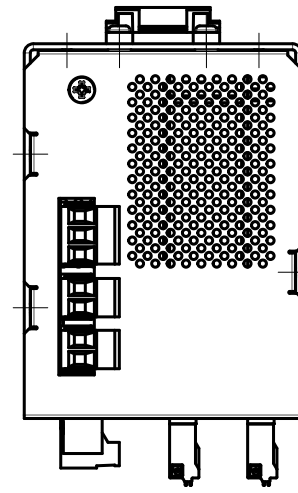
4

3

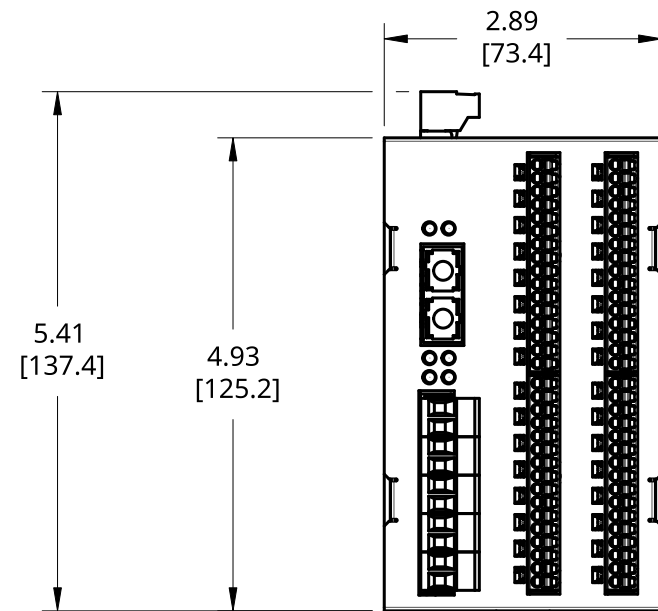
2

1

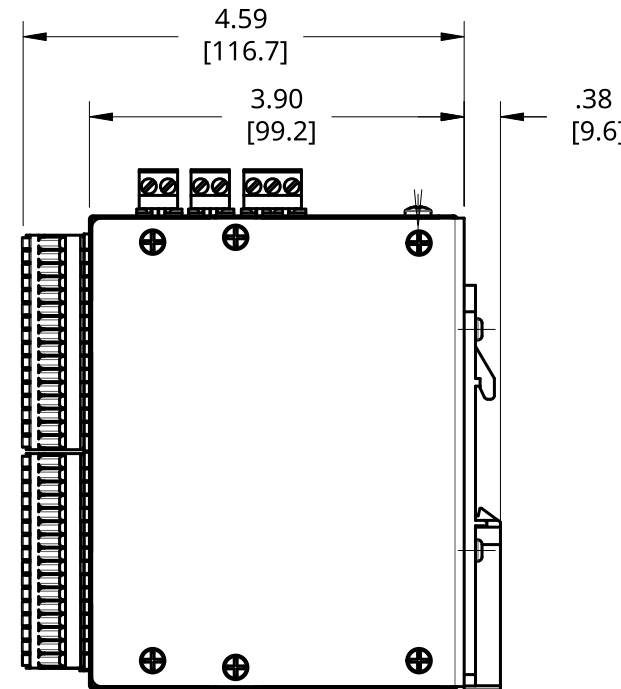
| REV | Zone | DESCRIPTION | DATE | APPROVED |
|-----|------|-----------------|----------|-------------|
| A | | INITIAL RELEASE | 08/14/24 | E. SIEGMANN |
| | | | | |
| | | | | |



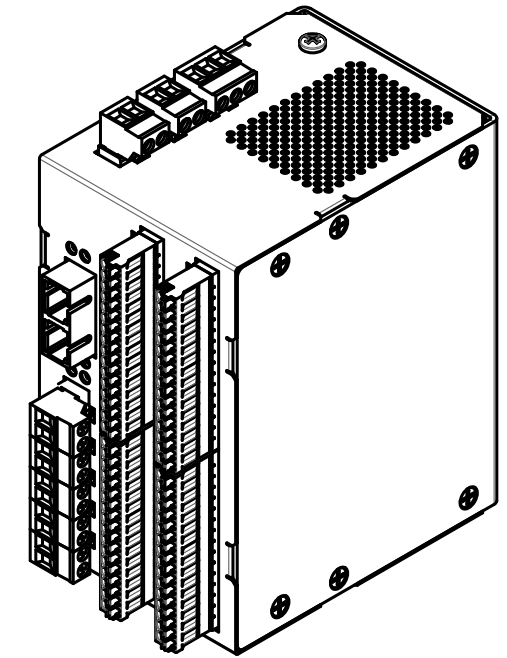
Top



Front



Right

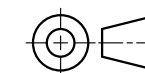


| | | | | |
|-------|---------|--|--------|--|
| TITLE | | ADIO/ADMAX TX/RX 4 CH. ANALOG + 16/32 CH. CONTACT | | |
| SIZE | DWG NO. | REV. | | |
| B | CD-425 | A | | |
| SCALE | WEIGHT | SHEET | 1 of 1 | |
| 1:2 | | | | |



FIBEROPTICLINK

THIRD ANGLE PROJECTION



4

3

2

1

D

D

C

C

B

B

A

A