

4

3

2

1

REV	Zone	DESCRIPTION	DATE	APPROVED
A		INITIAL RELEASE	02/20/2025	KG

D

D

C

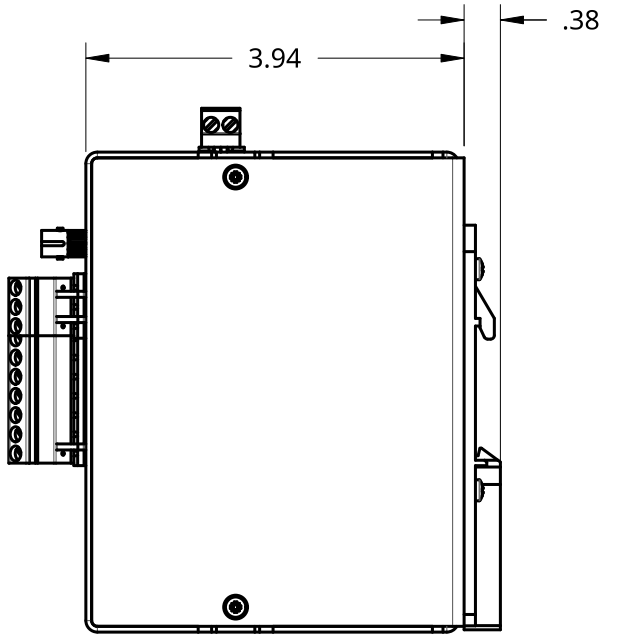
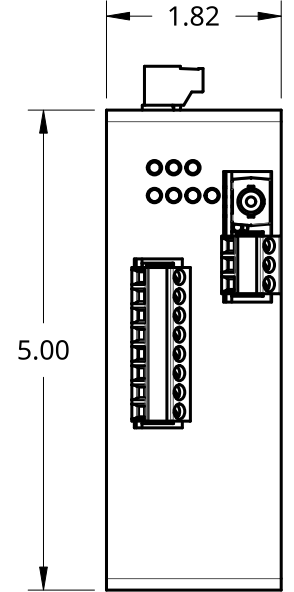
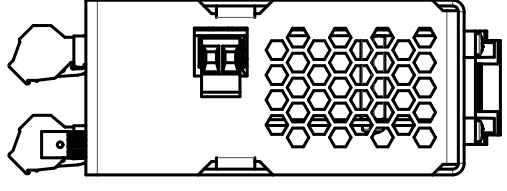
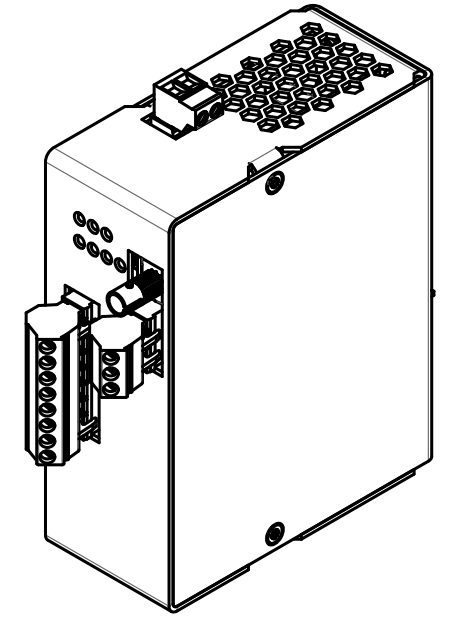
C

B

B

A

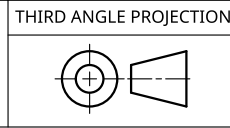
A



TITLE
4CD-XX-2
4 CHANNEL CONTACT CLOSURE (RX)



FIBEROPTICLINK



SIZE	DWG NO.	REV.
B	AD-182	A
SCALE	WEIGHT	SHEET
1:2		1 of 1

4

3

2

1