

4

3

2

1

REV	Zone	DESCRIPTION	DATE	APPROVED
A		INITIAL RELEASE	02/20/2025	KG

D

D

C

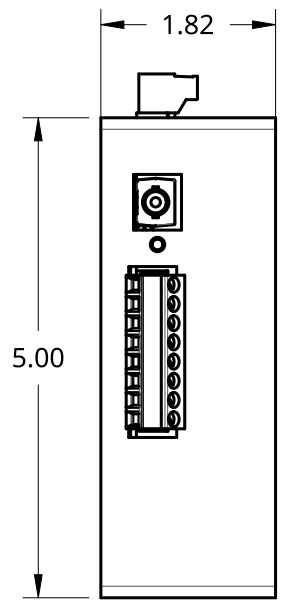
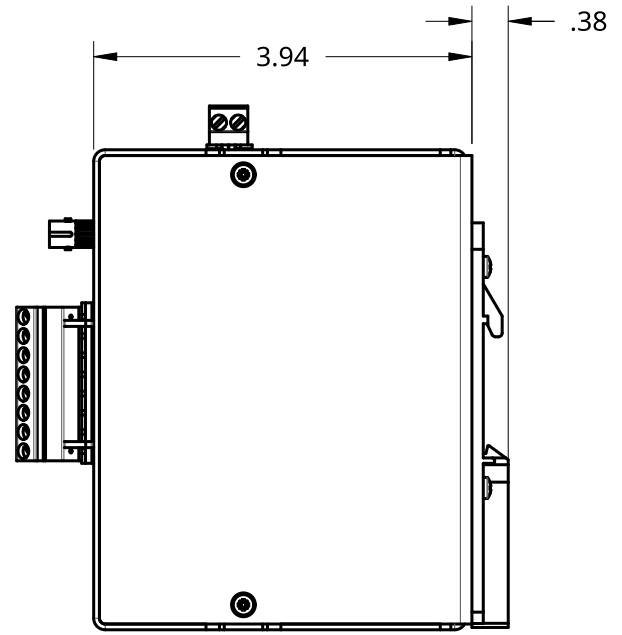
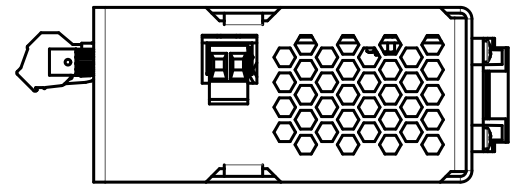
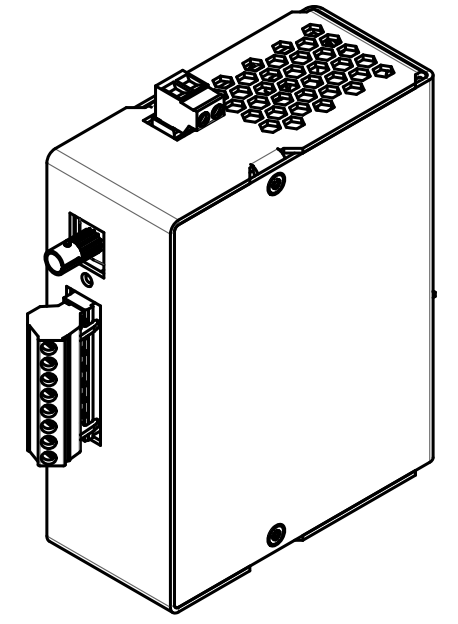
C

B

B

A

A



TITLE		4CD-XX-2 4 CHANNEL CONTACT CLOSURE (TX)		
SIZE	DWG NO.	REV.		
B	AD-181	A		
SCALE	WEIGHT	SHEET		
1:2		1 of 1		


FIBEROPTICLINK


4

3

2

1