

4

3

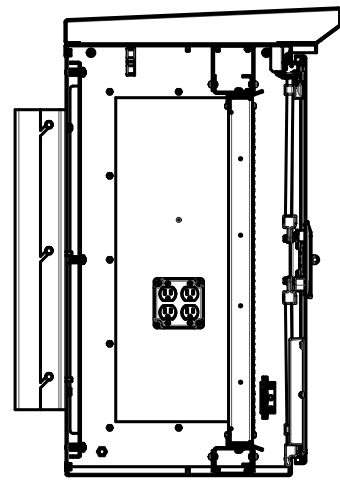
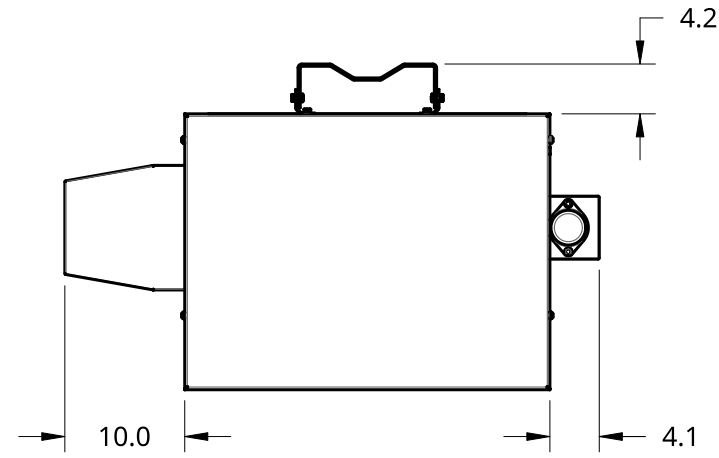
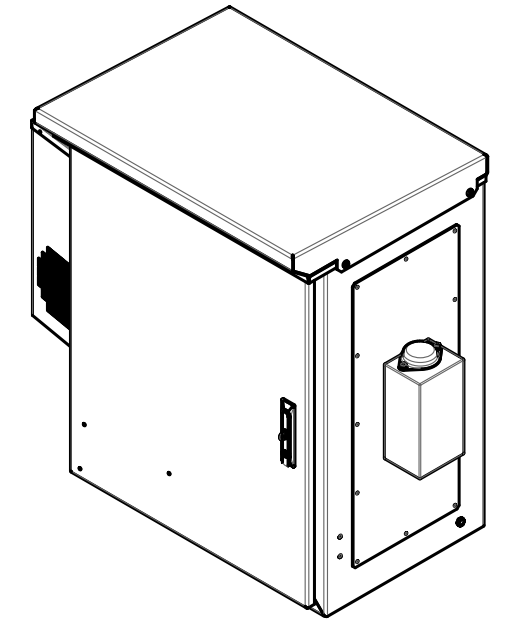
2

1

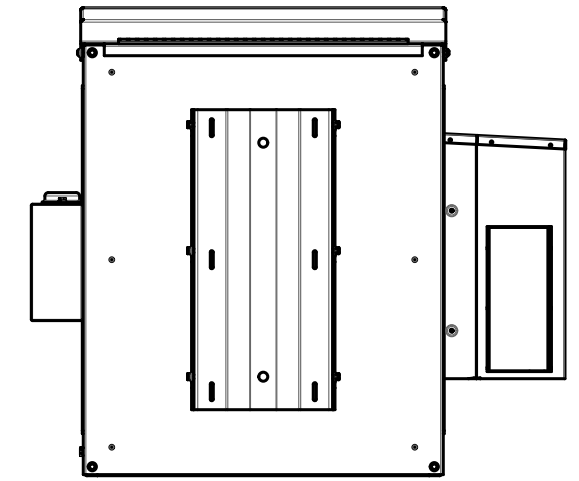
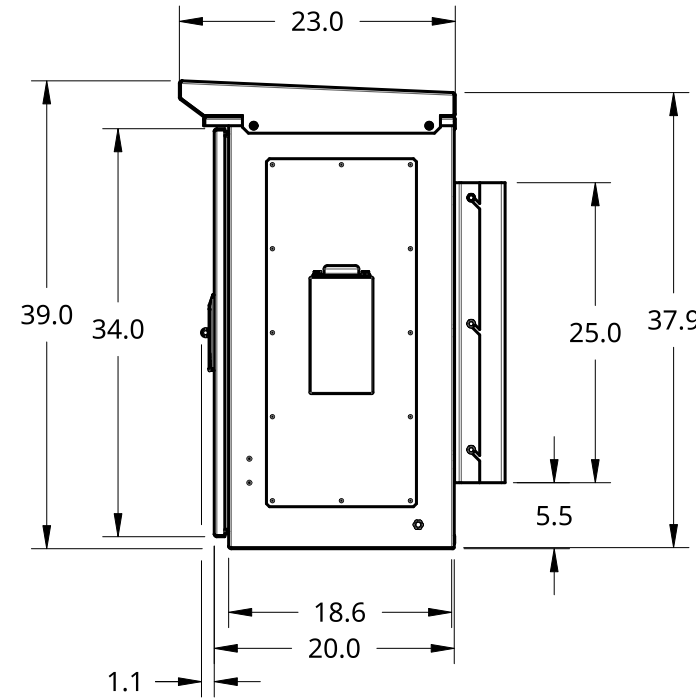
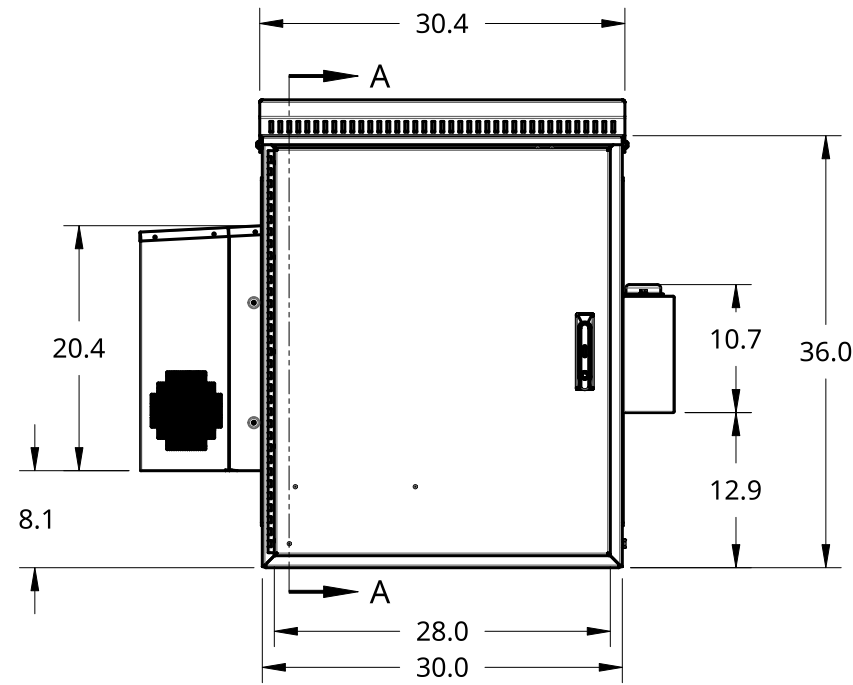
NOTES: UNLESS OTHERWISE SPECIFIED:

1. CONFIGURATION SHOWN: CORE-363020A-SAB-WBX-1, CORE 15 RU SWING OUT RACK CABINET WITH AIR CONDITIONER, LOAD CENTER, TOP SOLAR SHIELD AND POLE MOUNT BRACKET

REV	Zone	DESCRIPTION	DATE	APPROVED
A		INITIAL RELEASE	10/30/2024	KG



SECTION A - A

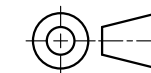


TITLE
**CORE 36" X 30" X 20" CABINET WITH
 19" EQUIPMENT RACK**



FIBEROPTICLINK

THIRD ANGLE PROJECTION



SIZE	DWG NO.	REV.
B	AD-158	A
SCALE	WEIGHT	SHEET
1:16		1 of 1

4

3

2

1

D

D

C

C

B

B

A

A