



FiberLink 4RU Rack Mount Fiber Patch Panel

PRFL4 Series

Slide out tray holds LGX 12 Fiber Adapter plates for up to 144 fiber capacity.

The RLH FiberLink 4U fiber patch panel is designed to provide a user friendly solution for fiber optic patching and/or splicing in a 19/23" rack. It holds up to 12 LGX compatible fiber adapter plates, fiber splice trays, and is ideal for installation in a wide variety of environments including substations, equipment rooms, central offices, and outdoor enclosures.

FiberLink patch panels are constructed from powder coated steel and aluminum alloy, and feature a hinged door with large window, removable slide out tray, and spacious rear access with tilt-adjustable cable entry strain relief brackets. Large cable access ports with brush style debris guards guide fiber in and out of the enclosure.

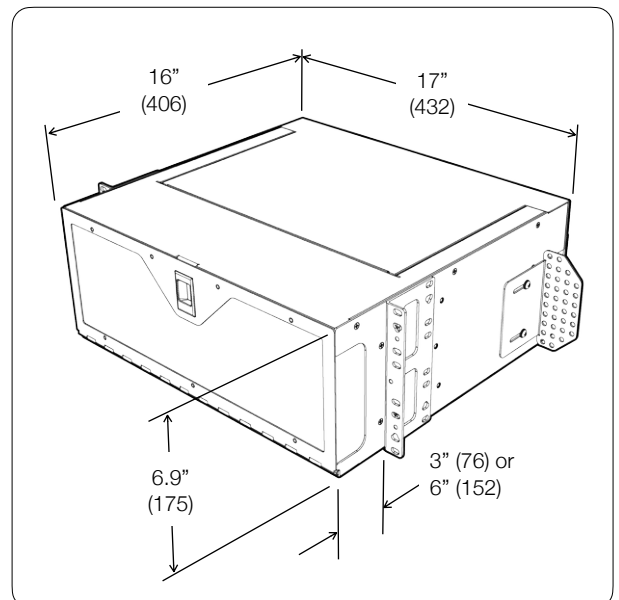
Fiber assemblies or pigtails can be custom ordered and pre-terminated into the patch panel for a complete turn-key solution. Adapter plates may be ordered separately.



FiberLink 4RU Rack Mount Patch Panel

Features

- Extra large rear cover allows full access to cable storage area
- Installer friendly built-in cable management & splice tray storage
- Holds 12 adapter plates, up to 144 fiber capacity
- Adjustable 19/23" rack ears, for front or center mounting
- Hinged door with viewing window
- Brush style cable entry protection
- Fiber identification labels included
- Removable sliding tray
- Available unloaded, or pre-loaded with splice trays, adapter plates, and fiber pigtails
- (2) cable strain relief brackets included



Dimensions

Ordering Information - Patch Panel Only

Description	Part Number
FiberLink 4RU Fiber Patch Pane, Rack Mount, 12 LGX Adapter Plate Capacity	PRFL4-1

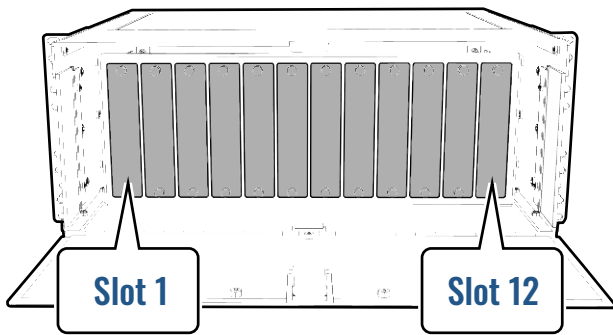
- Fiber Adapter Plates (black) and Splice-on Fiber Pigtails are ordered separately and may be preinstalled prior to shipping.

Ordering Information - Pre-Loaded

Refer to the part number chart below

Ordering with Fiber Adapter Plates, Pigtails, and Splice Trays

Use the ordering code below to order the patch panel with fiber adapter plates and/or pigtails preinstalled, and Splice Trays. Refer to the Fiber Adapter Plate Chart and the Fiber Pigtail Chart on the following pages.



Example #1:	PRFL4 - 06 - 32 - 06 - 41 - 0 - 1
Quantity of Adapter Plates (06):	6
Adapter Plate Type (32):	AP-SC6-LDSM-B
Quantity of Fiber Pigtails (41):	6
Fiber Pigtail Type (41):	RLH-12SMSC-03M
Splice Trays (0):	0
Example #2:	PRFL4 - 12 - 32 - 12 - 41 - 6 - 1
Quantity of Adapter Plates (12):	12
Adapter Plate Type (32):	AP-SC6-LDSM-B
Quantity of Fiber Pigtails (12):	12
Fiber Pigtail Type (41):	RLH-12SMSC-03M
Splice Trays (6):	6

PRFL4 - - - - - - 1

Fiber Adapter Plate Quantity

Enter the quantity of fiber adapter plates required (0 to 12)

Fiber Adapter Plate Type

Use the code from the Adapter Plate Chart* to select the style of adapter plate

– Fiber Adapter Plates will be populated starting at slot 1 –

Splice Trays

Enter the quantity of trays required (0 to 8) for a maximum of 8 trays – *PN: RLH-FST-03*

Fiber Pigtail Type

Use the code from the Fiber Pigtail Chart* to select the style of fiber pigtail

Fiber Pigtail Quantity

Enter the quantity of fiber pigtails required (0 to 12)

•Refer to the following pages for adapter plates and pigtail types.



Adapter Plate Chart

Use the Adapter Code to specify the desired plate style to be preinstalled.

Adapter	Mode	Adapter Plate Style				Supported Fiber Types	Black Plate Part Number	Adapter Code
		Type	Fibers	Positions	Color			
Blank	-	-	-	-	-	-	AP-BLANK-B	00
ST	SM	Simplex	6	6	Yellow Caps	OS1/OS2	AP-ST6-LSSM-B	01
			12	12	Yellow Caps	OS1/OS2	AP-ST12-LSSM-B	03
	MM	Simplex	6	6	Black Caps	OM1~OM4	AP-ST6-LSMM-B	06
			12	12	Black Caps	OM1~OM4	AP-ST12-LSMM-B	08
FC	SM	Simplex	6	6	Yellow Caps	OS1/OS2	AP-FC6-LSSM-B	20
	MM	Simplex	6	6	Black Caps	OM1/OM2	AP-FC6-LSMM-B	23
FC/APC	SM	Simplex	6	6	Green Caps	OS1/OS2	AP-FA6-LSSM-B	26
SC	SM	Simplex	6	6	■ blue	OS1/OS2	AP-SC6-LSSM-B	30
			12	6	■ blue	OS1/OS2	AP-SC6-LDSM-B	32
	MM	Simplex	6	6	■ beige	OM1/OM2	AP-SC6-LSMM-B	33
			12	6	■ beige	OM1/OM2	AP-SC6-LDMM-B	35
SC/APC	SM	Simplex	6	6	■ green	OS1/OS2	AP-SA6-LSSM-B	36
			12	6	■ green	OS1/OS2	AP-SA6-LDSM-B	38
SC 10G	MM	Simplex	6	6	■ aqua	OM3/OM4	AP-SC6-LSMX-B	39
			12	6	■ aqua	OM3/OM4	AP-SC6-LDMX-B	41
LC	SM	Duplex	6	3	■ blue	OS1/OS2	AP-LC3-LDSM-B	51
			12	6	■ blue	OS1/OS2	AP-LC6-LDSM-B	52
			24	6	■ blue	OS1/OS2	AP-LC6-LQSM-B	54
	MM	Duplex	6	3	■ beige	OM1/OM2	AP-LC3-LDMM-B	56
			12	6	■ beige	OM1/OM2	AP-LC6-LDMM-B	57
			24	6	■ beige	OM1/OM2	AP-LC6-LQMM-B	59
LC/APC	SM	Duplex	6	3	■ green	OS1/OS2	AP-LA3-LDSM-B	61
			12	6	■ green	OS1/OS2	AP-LA6-LDSM-B	62
			24	6	■ green	OS1/OS2	AP-LA6-LQSM-B	64
LC 10 GIG	MM	Duplex	6	3	■ aqua	OM3/OM4	AP-LC3-LDMX-B	66
			12	6	■ aqua	OM3/OM4	AP-LC6-LDMX-B	67
			24	6	■ aqua	OM3/OM4	AP-LC6-LQMX-B	69
CAT6 RJ-45	-	Coupler	-	4	-	-	AP-RJCAT6-CP4-B	90
		Punchdown	-	4	-	-	AP-RJCAT6-PD4-B	91



Fiber Pigtail Chart

Use the Pigtail Code to specify the desired 900µm Spiral Wrap Splice-on Fiber Pigtail to be preinstalled.

900µm Spiral Wrap Splice-on Pigtail				Part Number	Pigtail Code			
Adapter	Mode	Fibers	Fiber Type					
N/A	N/A	N/A	N/A	NONE	00			
ST	SM	6	OS1/OS2	RLH-06SMST-03M	01			
		12	OS1/OS2	RLH-12SMST-03M	02			
	MM	6		OM1	RLH-06MMST-03M	06		
				OM2	RLH-06M5ST-03M	07		
				OM3	RLH-06MXST-03M	08		
				OM4	RLH-06MCST-03M	09		
		12		OM1	RLH-12MMST-03M	12		
				OM2	RLH-12M5ST-03M	13		
				OM3	RLH-12MXST-03M	14		
				OM4	RLH-12MCST-03M	15		
			FC	SM	6	OS1/OS2	RLH-06SMFC-03M	20
					12	OS1/OS2	RLH-12SMFC-03M	21
	MM	6			OM1	RLH-06MMFC-03M	23	
					OM2	RLH-06M5FC-03M	24	
					OM3	RLH-06MXFC-03M	25	
				OM4	RLH-06MCFC-03M	26		
12				OM1	RLH-12MMFC-03M	28		
				OM2	RLH-12M5FC-03M	29		
				OM3	RLH-12MXFC-03M	30		
				OM4	RLH-12MCFC-03M	31		
FC/APC	SM	6	OS1/OS2	RLH-06SMFA-03M	33			
		12	OS1/OS2	RLH-12SMFA-03M	34			
SC	SM	6	OS1/OS2	RLH-06SMSC-03M	40			
		12	OS1/OS2	RLH-12SMSC-03M	41			
	MM	6		OM1	RLH-06MMSC-03M	43		
				OM2	RLH-06M5SC-03M	44		
				OM3	RLH-06MXSC-03M	45		
				OM4	RLH-06MCSC-03M	46		
		12		OM1	RLH-12MMSC-03M	48		
				OM2	RLH-12M5SC-03M	49		
				OM3	RLH-12MXSC-03M	50		
				OM4	RLH-12MCSC-03M	51		
			SC/APC	SM	6	OS1/OS2	RLH-06SMSA-03M	53
					12	OS1/OS2	RLH-12SMSA-03M	54
LC	SM	6	OS1/OS2	RLH-06SMLC-03M	60			
		12	OS1/OS2	RLH-12SMLC-03M	61			
		24	OS1/OS2	RLH-12SMLC-03M (2)	62			
	MM	6		OM1	RLH-06MMLC-03M	63		
				OM2	RLH-06M5LC-03M	64		
				OM3	RLH-06MXLC-03M	65		
				OM4	RLH-06MCLC-03M	66		
		12		OM1	RLH-12MMLC-03M	68		
				OM2	RLH-12M5LC-03M	69		
				OM3	RLH-12MXLC-03M	70		
				OM4	RLH-12MCLC-03M	71		
			24		OM1	RLH-12MMLC-03M (2)	73	
					OM2	RLH-12M5LC-03M (2)	74	
		OM3		RLH-12MXLC-03M (2)	75			
		OM4		RLH-12MCLC-03M (2)	76			
	LC/APC	SM	6	OS1/OS2	RLH-06SMLA-03M	78		
12			OS1/OS2	RLH-12SMLA-03M	79			
24			OS1/OS2	RLH-12SMLA-03M (2)	80			



General Specifications

Adapter Plates	Holds 12 LGX® plates, Up to 24 Fibers each plate *Ordered Separately
Splice Trays	24 Fiber Splice Tray (RLH-FST-03)
Mounting Style	EIA 19" or 23" Equipment Rack, 2 position rack ears for front or center mount
Construction	Powder Coated steel and aluminum alloy housing Slide out tray with latching door and polycarbonate window Ultra wide rear cover with swell latches Adjustable cable stress relief brackets
Accessory Kit	Qty. 1 — 36" x 1/2" Velcro® for securing fiber Qty. 12 — Cable Ties Qty. 2 — Distribution Chart Labels, 96 Fiber
Dimensions	17" (W) x 16" (D) x 6.9" (H), (432mm x 406mm x 175mm)

Contact

By Mail:	ATTN: Sales
	RLH Industries, Inc. 936 N. Main Street Orange, CA 92867
By Phone:	Local 714-532-1672
Sales/Service:	Toll Free 800-877-1672
By Email:	info@fiberoptick.com
By Fax:	714-532-1885

Support

By Email:	support@fiberoptick.com
By Phone:	Toll Free 855-754-2497