

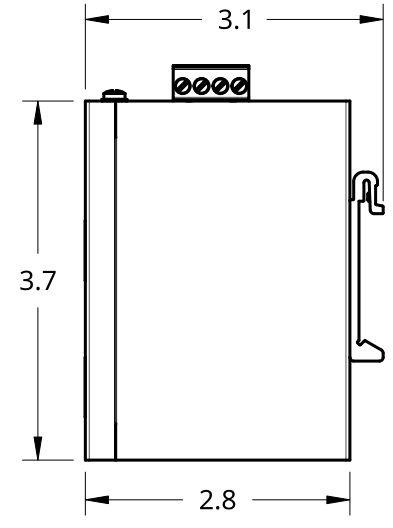
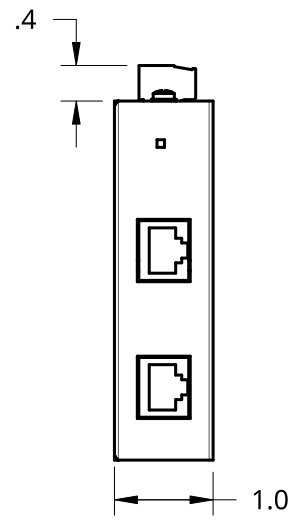
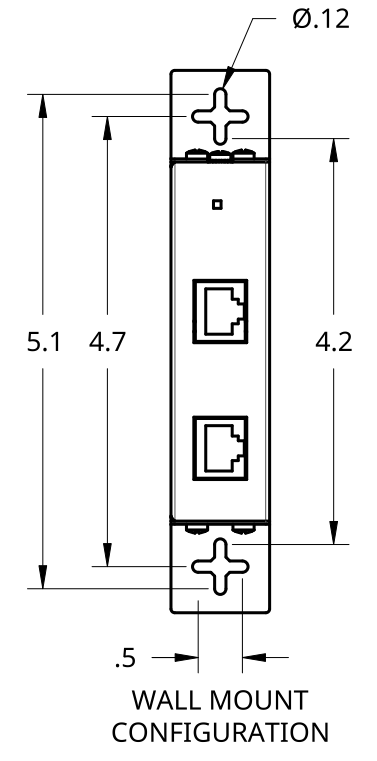
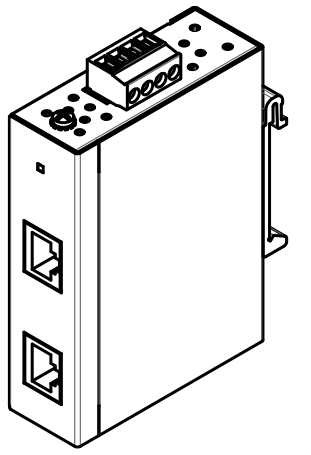
4

3

2

1

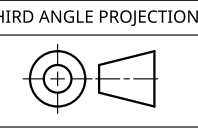
| REV | Zone | DESCRIPTION | DATE | APPROVED |
|-----|------|-----------------|------------|----------|
| A | | INITIAL RELEASE | 02/25/2025 | KG |



| | | | |
|-------|---------|-----------------------------|--|
| TITLE | | 1-PORT GIGABIT POE SPLITTER | |
| SIZE | DWG NO. | REV. | |
| B | SD-001 | A | |
| SCALE | WEIGHT | SHEET | |
| 1:2 | | 1 of 1 | |



FIBEROPTICLINK



4

3

2

1

D

D

C

C

B

B

A

A