

4

3

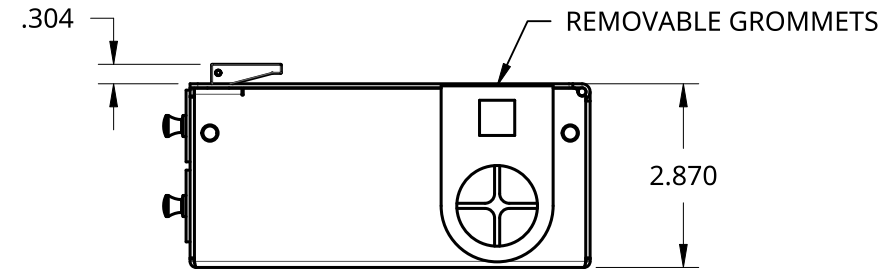
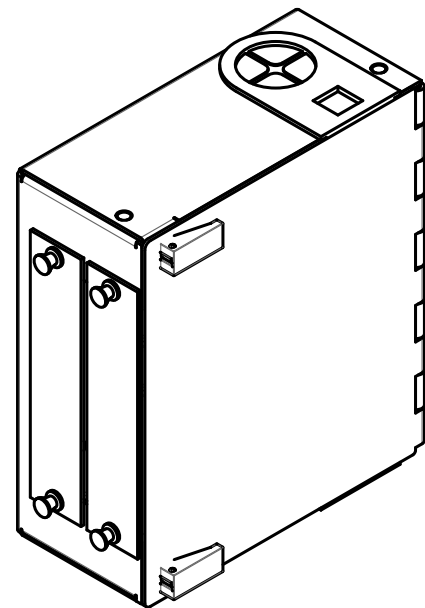
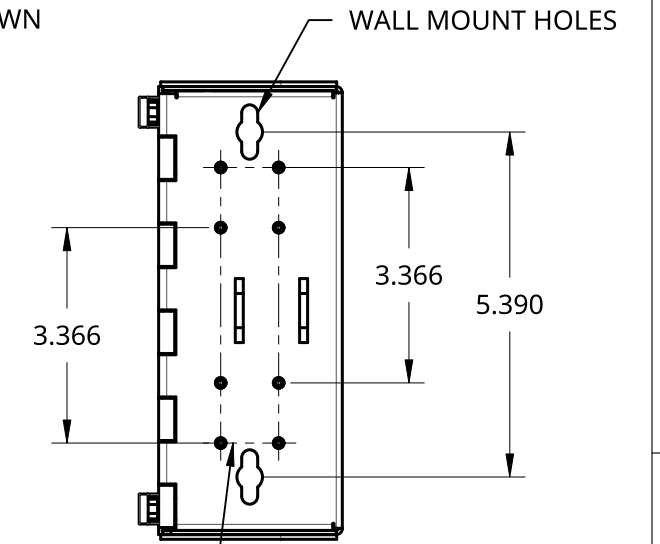
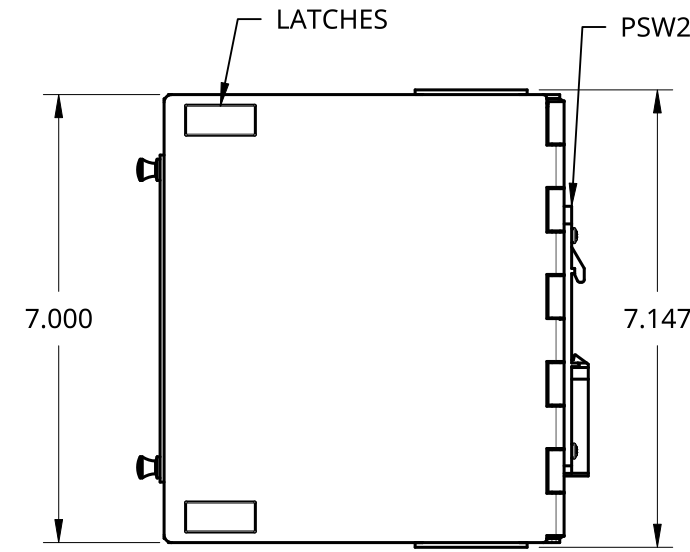
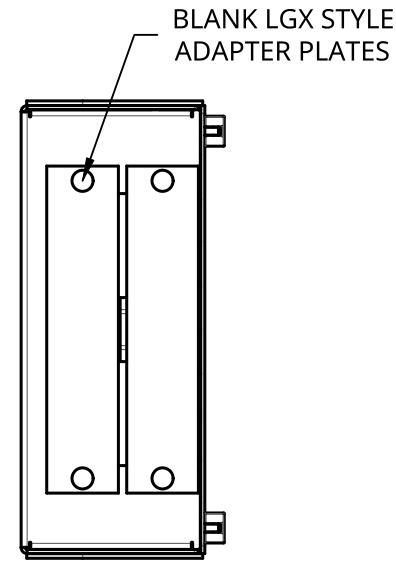
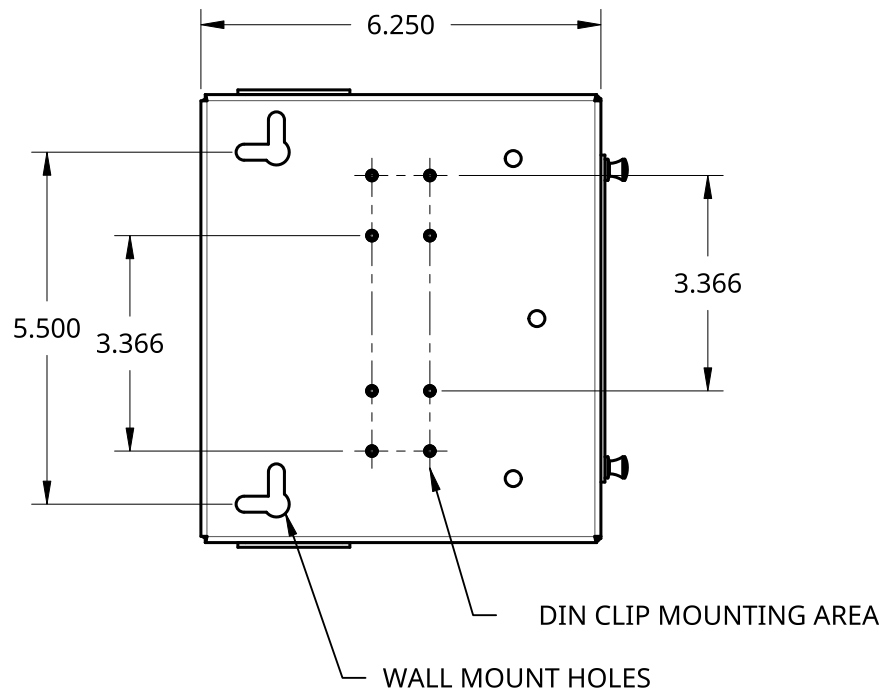
2

1

**NOTES: UNLESS OTHERWISE SPECIFIED**

- 1. BLANK ADAPTER PLATES ARE NOT INCLUDED WHEN ORDERED WITH ALTERNATE ADAPTER PLATES PRE-INSTALLED.
- 2. DIN RAIL CLIP IS INCLUDED ONLY ON PWS2-A-1-D MODEL.
- 3. DIN RAIL CLIP MAY BE MOUNTED ON END OR BACK SIDE, IN AN ORIENTATION AS NEEDED.
- 4. HOUSING IS CONSTRUCTED OF POWDER COATED ALUMINUM ALLOY.

REV	Zone	DESCRIPTION	DATE	APPROVED
A		INITIAL RELEASE	09/25/202	KN
B		DRAWING LAYOUT UPDATED	12/10/2024	KG

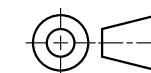


TITLE			
2 PLATE SLIMLINE PATCH PANEL			
SIZE	DWG. NO.	REV.	
B	PWS2-A-1/PWS2-A-1-D	B	
SCALE	WEIGHT	SHEET	
1:3	1.5 LBS./0.7 KG	1 of 1	



FIBEROPTICLINK

THIRD ANGLE PROJECTION



4

3

2

1

D

C

B

A

D

C

B

A